



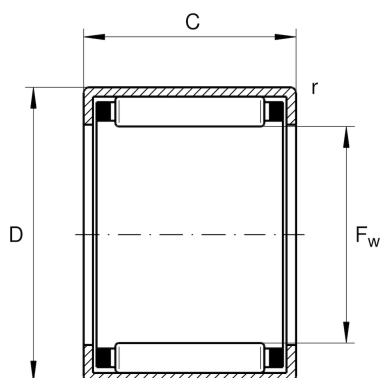
## HK0808

Drawn cup needle roller bearing open end

Schaeffler ID:  
0011976300000

Drawn cup needle roller bearings with  
open ends HK, to DIN 618/ISO 3245

### Technical information



#### Main Dimensions & Performance Data

$F_w$	8 mm	Under roller diameter
$D$	12 mm	Outside diameter
$C$	8 mm	Width
$C_r$	2,750 N	Basic dynamic load rating, radial
$C_{0r}$	2,600 N	Basic static load rating, radial
$C_{ur}$	300 N	Fatigue load limit, radial
$n_G$	29,500 1/min	Limiting speed
$n_{G \text{ Grease}}$	17,700 1/min	Limiting speed for grease lubrication
$n_{gr}$	23,800 1/min	Reference speed
	2.54 g	Weight

#### Dimensions

$C_1$	8 mm	Width, outer ring
$r_{\min}$	0.4 mm	Minimum chamfer dimension
	G8X12X3	Sealing ring 2

#### Temperature range

$T_{\min}$	-30 °C	Operating temperature min.
$T_{\max}$	140 °C	Operating temperature max.